

NOTE: ALL CONDUCTORS BY CONTRACTOR SHALL BE COPPER.

NOTE: NEUTRAL CONDUCTOR SHALL BE BONDED AT THE GENERATOR.

NOTE: PROVIDE PERMANENT PLAQUE ON FUSED DISC. FOR THE JAIL & COURTHOUSE INDICATING TYPE & LOCATION OF ON-SITE EMERGENCY POWER SOURCES AS PER N.E.C. 700.7. PERMANENT PLAQUE SHALL BE THREE LAYER LAMINATED NAMEPLATE 3/32" INCH THICK, LENGTHS AS REQUIRED TO ACCOMMODATE LETTERING, & IN 3/4" AND 1-1/4" WIDTHS. PLATE SHALL HAVE ADHESIVE BACKING WITH PULL-APART RESISTANCE OF AT LEAST 100 PSI. PLATE SHALL BE LAMINATED TYPE WITH WHITE SURFACES, BLACK CORE, & CONDENSED GOTHIC LETTERING AT LEAST 1/4" HIGH.

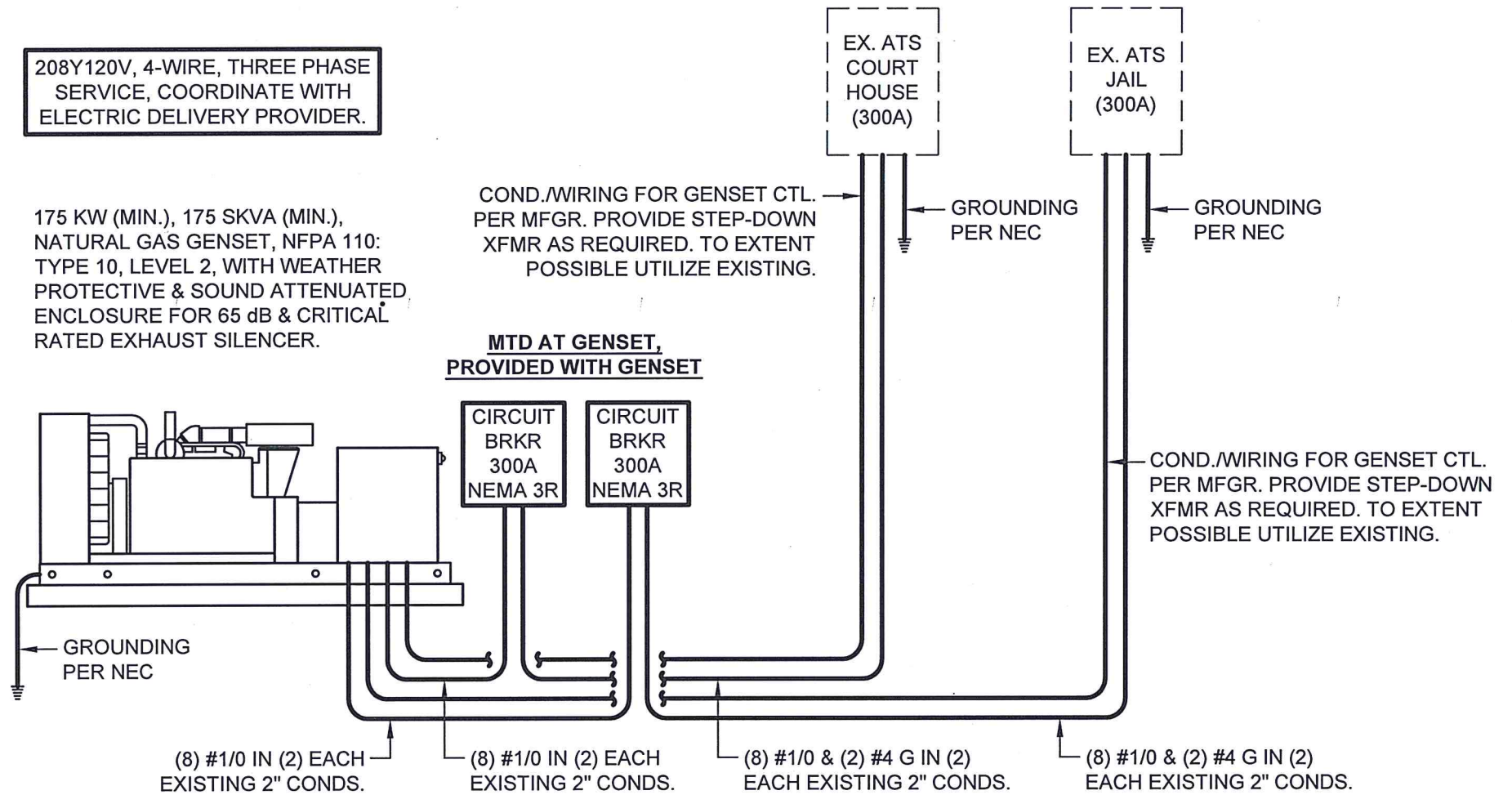
GENERAL NOTES:

1. VERIFY THE RATING OF THE CIRCUIT BREAKER PROVIDED BY THE GENSET MANUFACTURER BEFORE DOING ANY WORK. IF THE MFGR-PROVIDED BREAKER RATING DIFFERS FROM THE RATING SHOWN IN THIS ONE-LINE, PROVIDE & INSTALL APPROPRIATE CONDUIT/CONDUCTOR SIZES, TRANSFER SWITCH RATING, ETC. PER N.E.C. TO MATCH BREAKER PROVIDED.
2. COORDINATE WITH ELECTRICAL DELIVERY PROVIDER TO MINIMIZE SYSTEM DOWNTIME.
3. REMOVE & REPLACE EXISTING QUAD RECEPTACLE ON EXTERIOR OF JAIL ADJACENT TO EXISTING GENERATORS. NEW RECEPTACLE SHALL BE WP/GFCI. PROVIDE NEW BRANCH CIRCUIT.
4. REMOVE (2) EXISTING GENERATORS & DELIVER TO OWNER. COORDINATE WITH NATURAL GAS PROVIDER FOR REMOVAL OF EXISTING NATURAL GAS SERVICE TO EXISTING GENERATORS & FOR NEW NATURAL GAS SERVICE TO NEW GENERATOR.
5. GENERATOR SHALL BE INSTALLED ON EXISTING CONCRETE SLAB. CUT EXISTING BOLTS FLUSH WITH CONCRETE.

208Y120V, 4-WIRE, THREE PHASE SERVICE, COORDINATE WITH ELECTRIC DELIVERY PROVIDER.

175 KW (MIN.), 175 SKVA (MIN.), NATURAL GAS GENSET, NFPA 110: TYPE 10, LEVEL 2, WITH WEATHER PROTECTIVE & SOUND ATTENUATED ENCLOSURE FOR 65 dB & CRITICAL RATED EXHAUST SILENCER.

MTD AT GENSET, PROVIDED WITH GENSET



Eddie L. Morgan
4/18/19

GLS
GOODWIN · LASITER · STRONG
ENGINEERING · ARCHITECTURE · INTERIOR DESIGN · SURVEYING
1609 S. CHESTNUT ST. STE. 202 - LURKIN, TEXAS 75801 - (936) 637-4900
4077 CROSS PARK DR. STE. 100 - BRYAN, TEXAS 77802 - (979) 776-9700

DATE 4-11-19	DRAWN BY: JRF	APPYD BY: ELM	SCALE N.T.S.	JOB NUMBER 148063
Newton County Generators Newton County Newton County, Texas Courthouse One-Line Diagram				SHEET NO. E4
2019 ALL RIGHTS RESERVED BY GOODWIN-LASITER, INC. UNAUTHORIZED USE OR REPRODUCTION IS PROHIBITED WITHOUT WRITTEN CONSENT FROM GOODWIN-LASITER, INC. TBPE FIRM REGISTRATION #413 - TBPLS FIRM REGISTRATION #10110900				